

**PRODUCT CODE: WBS**

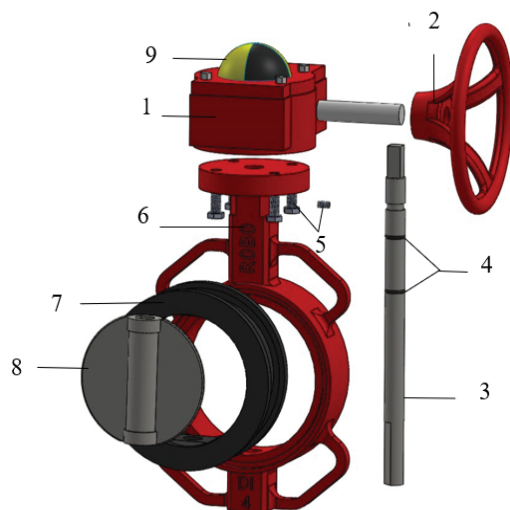


## ■ SPECIFICATION

- Design and Manufacture : BS 5155, API 609
- Face to Face : ISO 5752  
BS EN 558-1
- Connection End : BS4504  
JIS B2220  
DIN2632  
ASME B16.10
- Pressure rating : PN10/16, JIS10K/JIS16K
- Working temp : -10 ~ 80°C

## ■ PARTS LIST & MATERIAL

No.	Part Name	Material	Material Code
1	Worm Gear	Ductile Iron	ASTM A536
2	Hand Wheel	Carbon Steel	AISI 1025
3	Shaft	Stainless Steel	AISI 304
4	O-ring	Rubber	EPDM
5	Bolfs	Stainless Steel	AISI 304
6	Body	Ductile Iron	ASTM A536
7	Gasket	Rubber	EPDM
8	Disc	Stainless Steel	AISI 304
9	Signal Box	Plastic	Commercial



## ■ DIMENSION

Size	Model-Size	L	W	H1	H2	H3
DN50	WBS-050	43	140	76	128	60
DN65	WBS-065	46	140	86	138	60
DN80	WBS-080	46	140	98	147	60
DN100	WBS-100	52	140	106	164	60
DN125	WBS-125	56	140	123	178	60
DN150	WBS-150	56	140	142	188	60

